

LANGED GATE VALVE

250 PSI 2"-24" (50-600 mm)

Soft sealing
Ductile Cast Iron
Full Bore

LONG LIFE VALVES



Face to Face: BS5163
Design standards conform to: AWWA C509.

Products

HAV	PN	Face to Face	Flange standard	Nominal size														
				mm	50	65	80	100	125	150	200	250	300	350	400	450	500	600
				inches	2"	2.5"	3"	4"	5"	6"	8"	10"	12"	14"	16"	18"	20"	24"
Type 001	PN 16	BS5163	ANSI B16.1		*	*	*	*	*	*	*	*	*	*	*	*	*	*

Coating: NYLON11 (Rilsan)/Epoxy/Enamel

Order example: HAV AWWA type 001 DN80 NYLON11 (Rilsan)

Description

Application

Shut-off valve, two way direction, vertically and horizontally.
Working temperature up to 90°C.
For: Drinking water, Water treatment, Sewage water, Sea water & Gas.

Operation

With T-key, hand wheel, chain wheel, pneumatic or electric actuator.

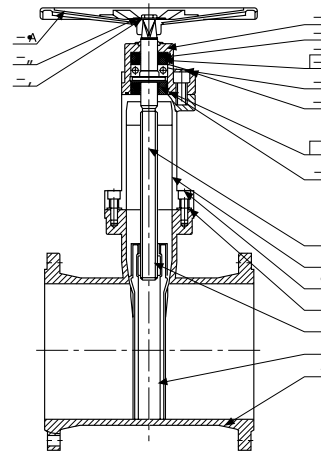
Coating

Meets or exceeds AWWA C550 coating requirements.

- Nylon11 (Rilsan) powder in dipping process - 250m (min).
- Electrostatic epoxy powder - GSK Ral 5005 - 250m (min).
- Enamel coating - 250m (min).

Advantages

- Bi-directional shut of valve.
- Available with rising stem design with indicator from 2"-12" (DN50-DN300).
- Body in nodular cast iron to withstand sudden water hammers.
- Smooth surface seating and not Groove type seating, which avoids settlement of impurities within the valve.
- All inner components in contact with are made of stainless steel or copper alloy.
- Low operating torques.
- Replaceable stem nut, without dismantling the valve from the pipe line.
- Longer life cycle.
- Offered in various coating options.

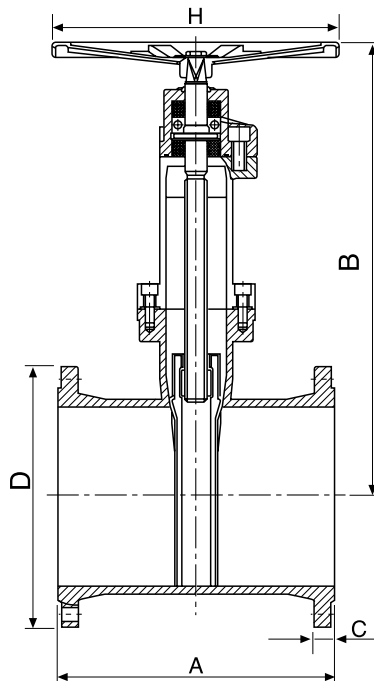


Material Specification

No.	Part Name	Material
1	Valve Body	Ductile Iron ASTM A 536
2	Resilient wedge	ASTM D2000 Ductile Iron ASTM A 538/EPDM ASTM D 2000
3	Wedge nut	Bronze ASTM B 584 UNS C83600
4	Stem	Bronze ASTM B 584 UNS C61400
5	Bonnet gasket	EPDM ASTM D 2000
6	Bonnet screw	Alloy steel ASTM A 574M Zinc plated
7	Bonnet	Ductile Iron ASTM A536
8	Stem primary O-ring	EPDM ASTM D 2000
9	Stem thrust washer Lower	Bronze ASTM B 584 UNS C83600
10	Stem thrust washer Upper	Stainless steel ASTM A 276 UNS S41000
11	Gland seal O-ring	EPDM ASTM D 2000
12	Stem seal bushing	Bronze ASTM B 584 UNS C83600
13	Stem secondary O-ring	EPDM ASTM D 2000
14	Gland Flange	Ductile Iron ASTM A 536
15	Gland Flange Screw	Alloy steel ASTM A 574M Zinc plated
16	Stem ring wiper	EPDM ASTM D 2000
17	Square operating nut	Cast Iron ASTM A 126-B
17A	Hand wheel (optional)	Ductile Iron ASTM A 536
18	Flat washer	Carbon Steel Zinc Plated
19	Screw	Alloy steel ASTM A 574M Zinc plated

Applications for:	Drinking water	Air cooling system	Hot water	Steam	Water treatment	Sewage water	Sea water	Desalination plants	Chemical industry	Food industry	Pulp/Paper industry	Dry air	Gas	Vacuum
	✓				✓	✓	✓						✓	

Dimensions (mm)



HAV (AWWA) Dimensions Table

	Dimension	DN													
		mm	50	60	80	100	150	200	250	300	350	400	450	500	600
		inches	2"	2.5"	3"	4"	6"	8"	10"	12"	14"	16"	18"	20"	24"
Face to Face	A	Inches	7	7.5	8	9	10.5	11.5	13	14	15	16	17	18	20
		mm	178	190	203	229	267	292	330	356	381	406	432	457	508
General dimensions	H	Inches	7.9	7.90	10.20	10.20	14.80	14.80	15.70	19.70	19.70	19.70	19.70	19.70	19.70
		mm	200.00	200.00	260.00	260.00	375.00	375.00	400.00	500.00	500.00	500.00	500.00	500.00	500.00
		B	Inches	10.00	11.30	12.60	13.50	17.40	20.80	24.20	27.60	34.30	34.30	40.10	43.20
		mm	255	287	321	344	441	529	614	700	870	870	1018	1173	1368
Flange dimensions AS2129-(TD) / PN10	D	Inches	6	7	7.5	9	11	13.5	16	19	21	23.5	25	27.5	32.7
		mm	152	178	191	229	279	343	406	483	533	597	635	699	831
	C	Inches	0.63	0.69	0.75	0.94	1	1.13	1.19	1.25	1.38	1.46	1.57	1.69	1.89
		mm	255	17.5	19	24	25.4	28.6	30.2	31.8	35	37	40	43	48
	Bolt circle	Inches	4.75	5.5	6	7.5	9.5	11.8	14.3	17	18.7	21.2	22.8	25	29.5
	mm	121	140	152	191	241	298	362	432	476	540	578	635	750	
	Flange Holes	4	4	4	8	8	8	12	12	12	16	16	20	20	
Turns/stroke		7	9	11	13	16	18	22	26	30	34	38	42	46	
Loss Factor		0.17	0.15	0.13	0.12	0.11	0.10	0.09	0.07	0.06	0.04	0.03	0.02	0.02	
Weight	lb.	30	35	45	71	122	196	294	426	605	800				
	Kg	14	16	20	32	55	89	134	194	275	364				

Dimensions and weight can be changed without notification.